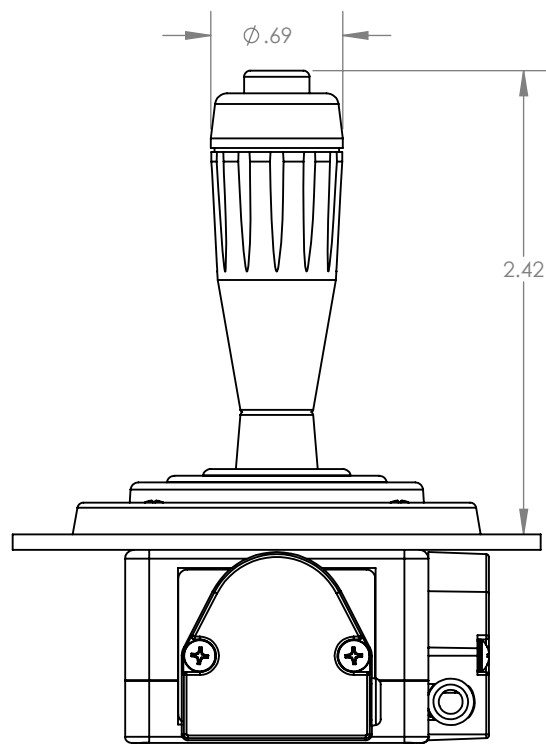
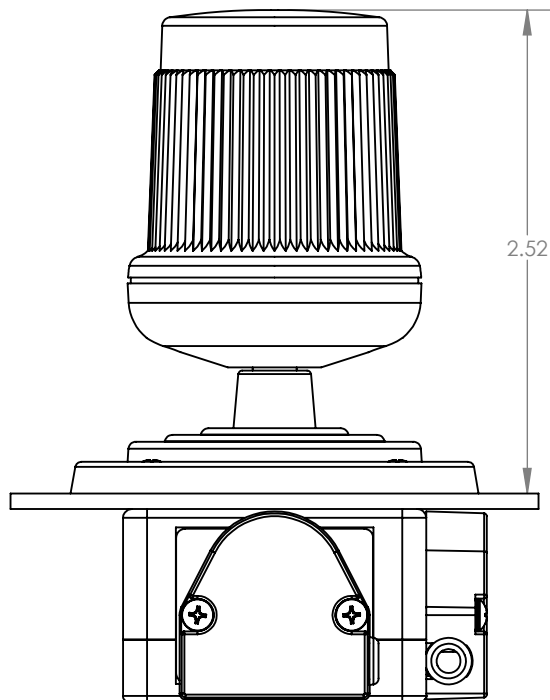


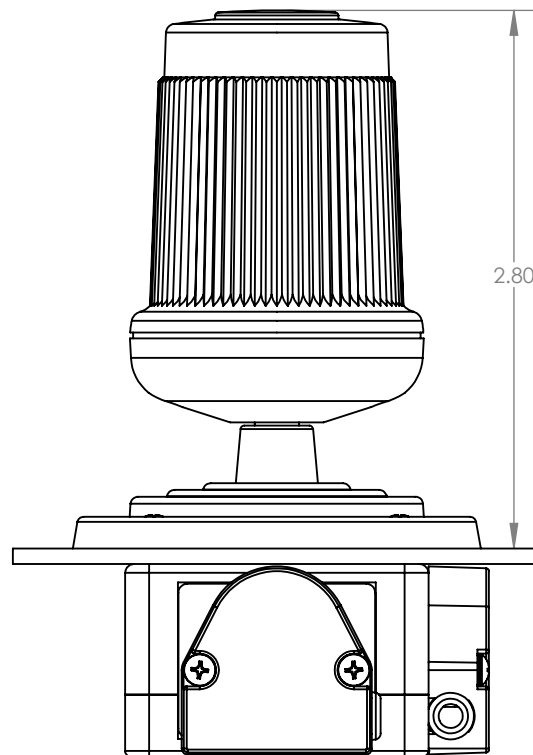
2 AXIS, NO BUTTON



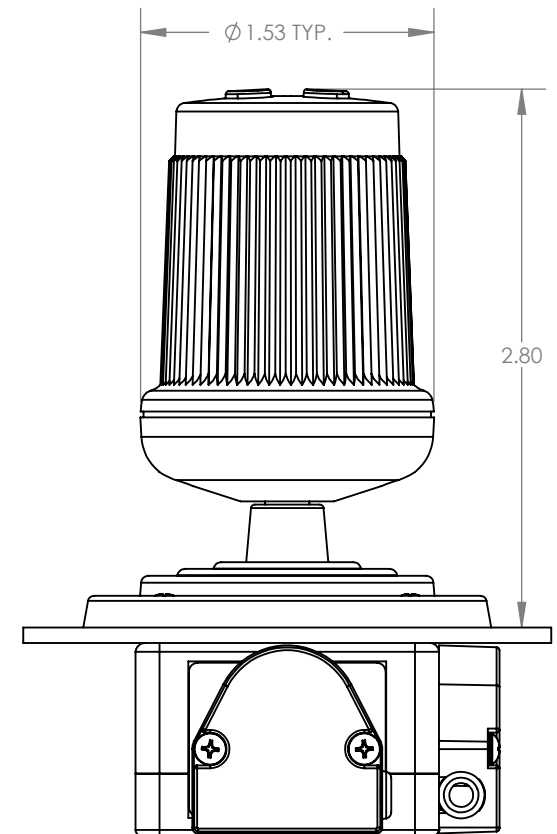
2 AXIS, 1 BUTTON



3 AXIS, NO BUTTON, STANDARD Z



3 AXIS, 1 BUTTON, STANDARD Z



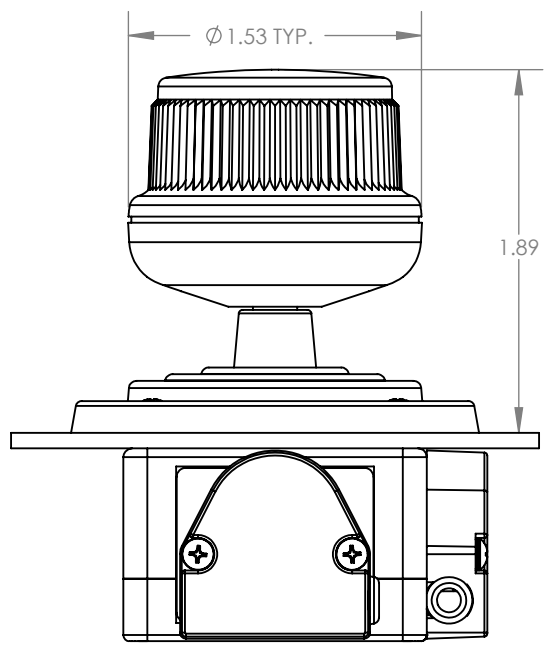
3 AXIS, 2 BUTTON, STANDARD Z

MH - HANDLE OPTIONS

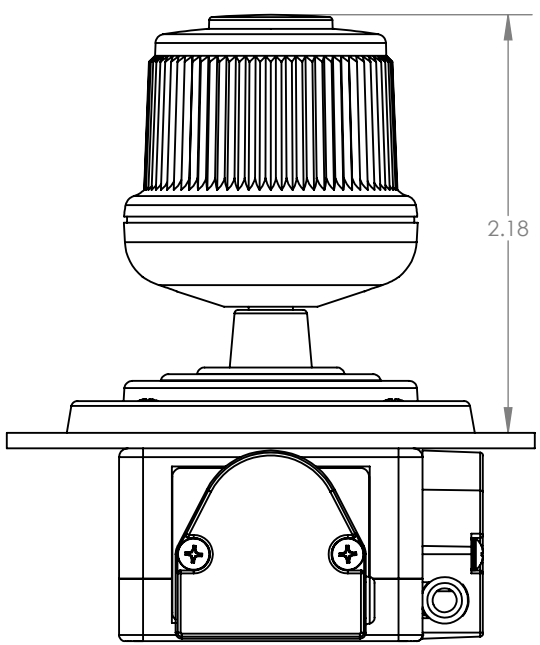
*MOUNTING HEIGHT FOR REAR MOUNT & DROP-IN OPTIONS

*RISER BOX OPTION ADD 1.150" TO PANEL SURFACE

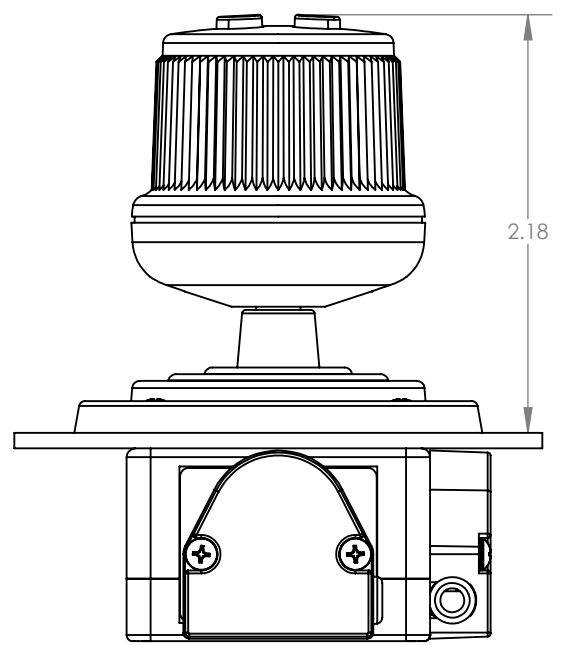
MH - HANDLE OPTIONS (continued)



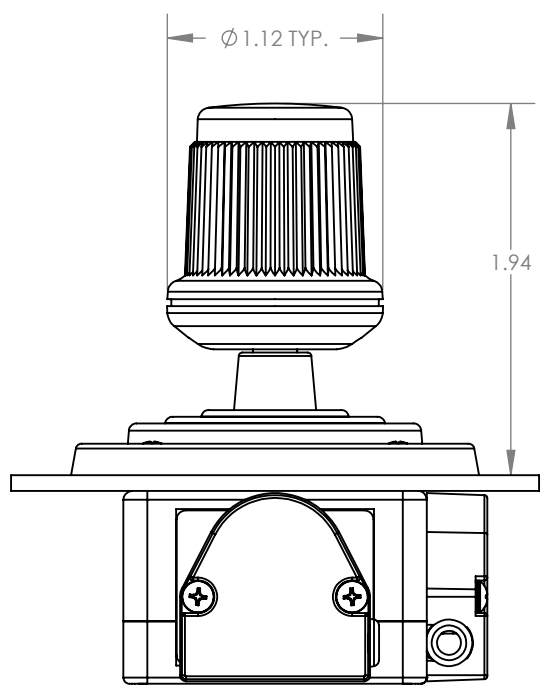
3 AXIS, NO BUTTON, LOW PROFILE Z



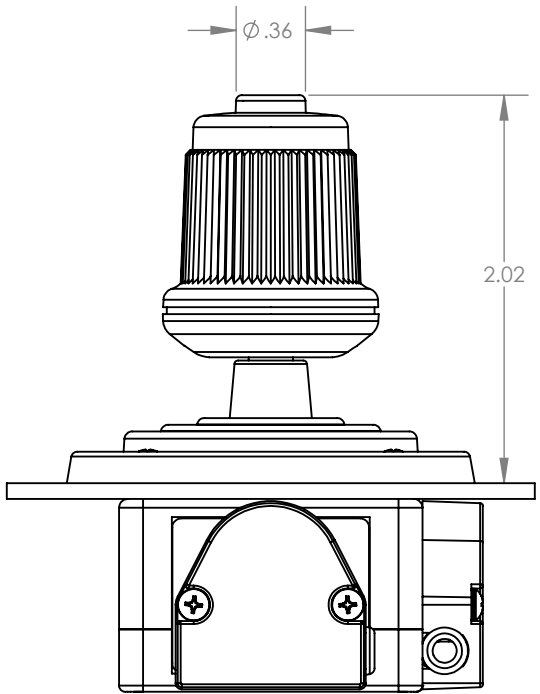
3 AXIS, 1 BUTTON, LOW PROFILE Z



3 AXIS, 2 BUTTON, LOW PROFILE Z



3 AXIS, NO BUTTON, SLIM Z



3 AXIS, 1 BUTTON, SLIM Z