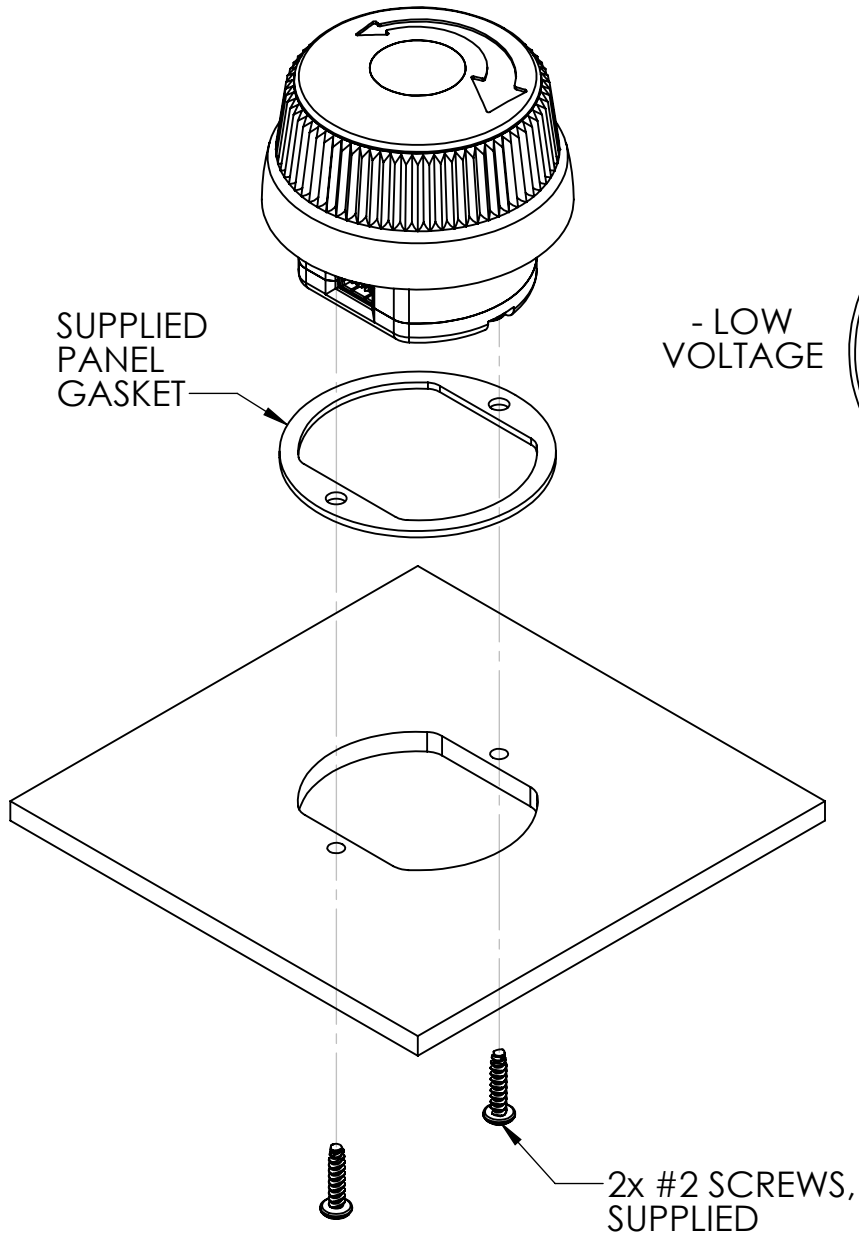


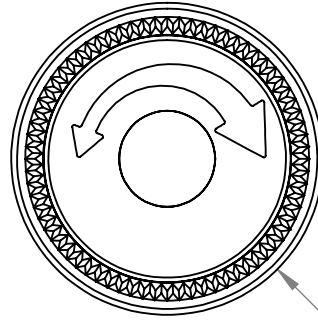
HCK - MOUNTING OPTIONS

MOUNTING DIRECTIONS:

1. INSTALL PANEL GASKET.
2. DROP CONTROL KNOB INTO PANEL CUTOUT.
3. INSTALL 2 MOUNTING SCREWS UNDER PANEL.
4. INSTALL SUPPLIED CABLE TO UNIT - SEE SPECIFICATIONS FOR PINOUT INFORMATION

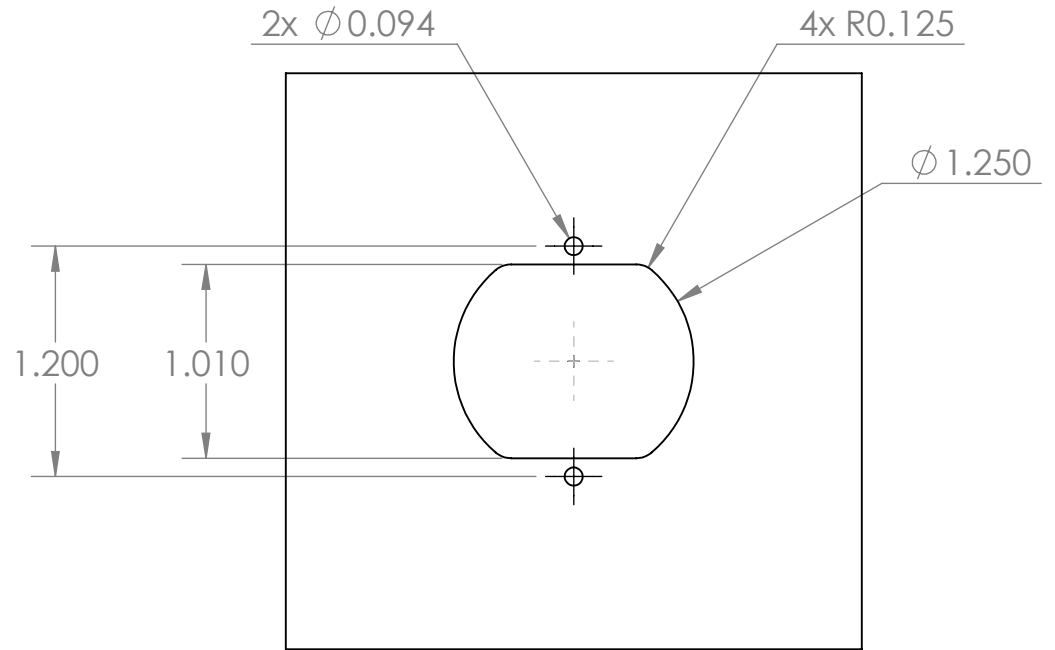
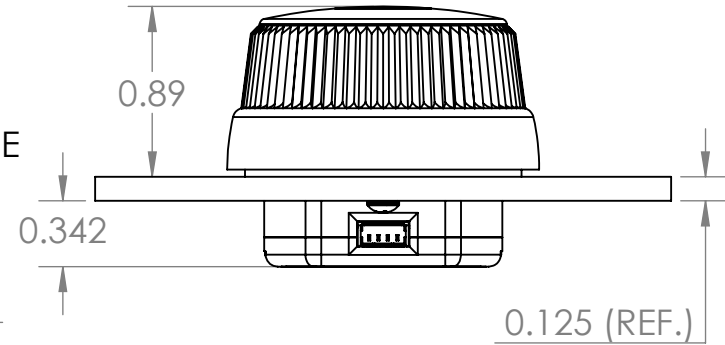


- LOW VOLTAGE



+ HIGH VOLTAGE

$\phi 1.63$



(SCALE 1:1)