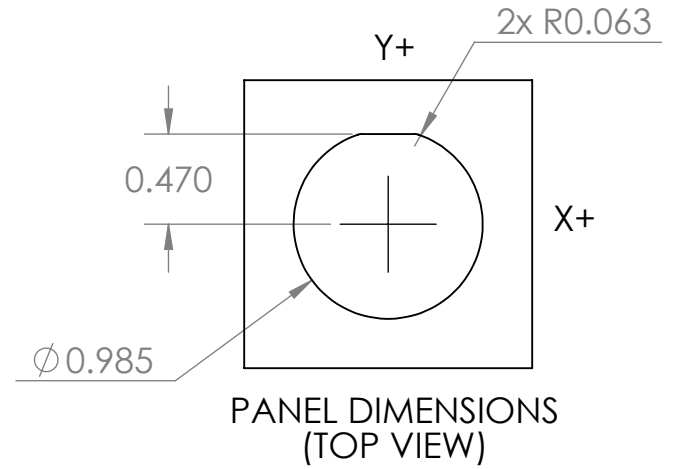
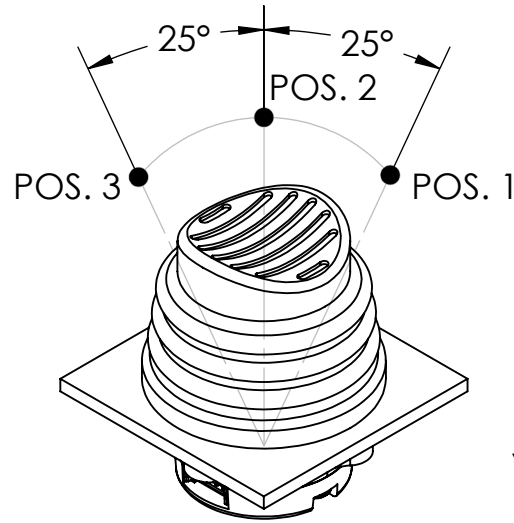
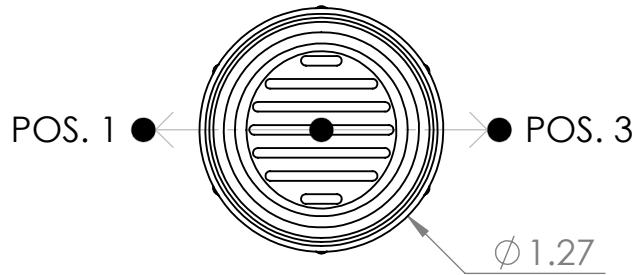


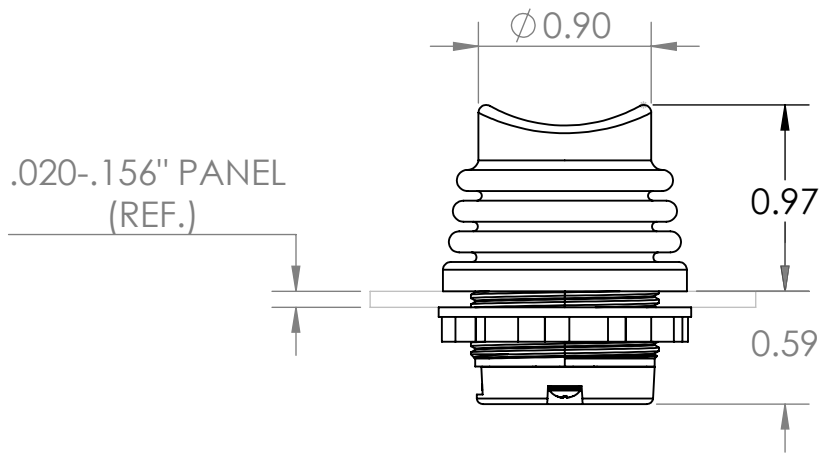
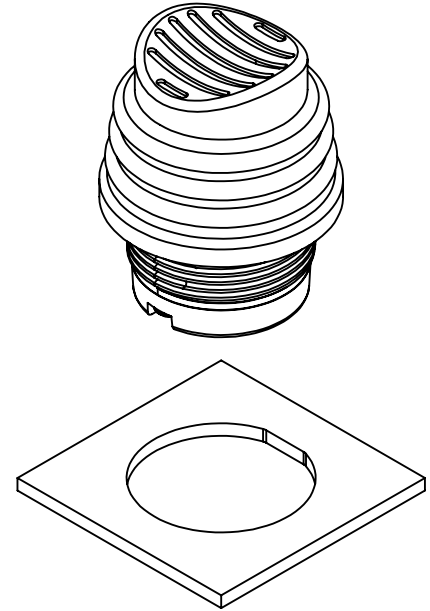
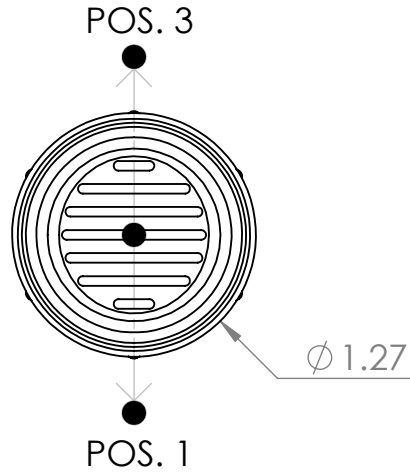
FNR SERIES: PRODUCT/MOUNTING PANEL DIMENSIONS



**X DIRECTION
(TOP VIEW)**



**Y DIRECTION
(TOP VIEW)**



(SCALE 1:1)